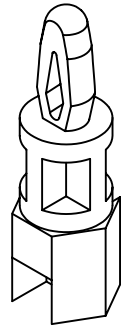
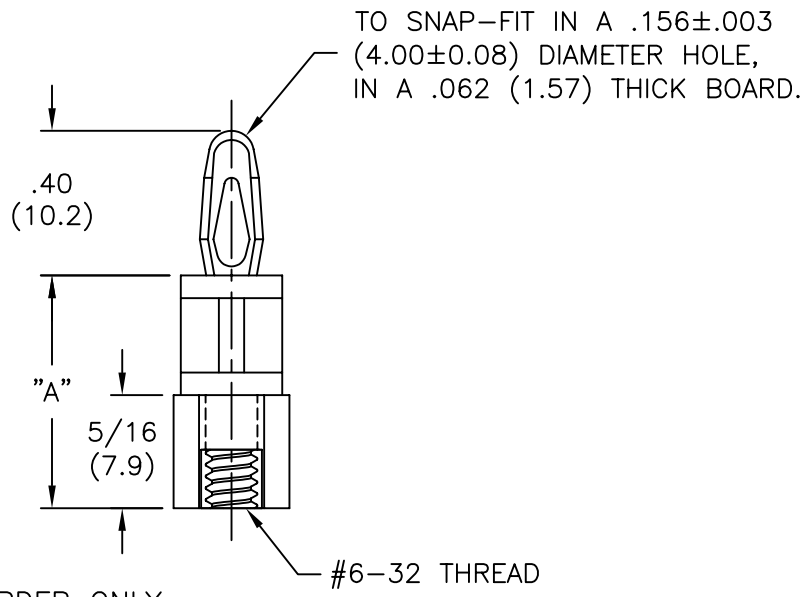
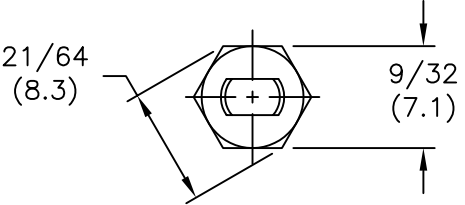


NYLON 6/6 (RMS-01) COLOR: NATURAL PART NO.	FLAME RET. (RMS-19) COLOR: NATURAL PART NO.	"A" ±.015 (±0.4)
CBS-TF-6-01	CBS-TF-6-19	3/8 (9.5)
CBS-TF-8-01	CBS-TF-8-19	1/2 (12.7)
CBS-TF-10-01	CBS-TF-10-19	5/8 (15.9)
CBS-TF-12-01	CBS-TF-12-19	3/4 (19.1)
CBS-TF-14-01	CBS-TF-14-19	7/8 (22.2)
CBS-TF-16-01	CBS-TF-16-19	1 (25.4)



NOTES:
 1. M4 THREAD AVAILABLE BY SPECIAL ORDER ONLY.
 TO ORDER, ADD "-M4" TO PART NO.
 EXAMPLE: CBS-TF-M4-8-XX

TITLE: CBS THREADED FEMALE			DWG IN IN (MM)		FINAL		PRINT TYPE		
D	UPDATED PRINT AND CHANGED FILE NO.	SM 05.08.02	FILE #	CBS-TF	DWN:	P.B.	APP:	PART # SEE TABLE	CA
C	FR-NYLON REMOVED FROM CHART	J.L. 02.17.98	MAT'L:	SEE TABLE	DT:	06-20-94	DT:		
B	MAT'L RMS-19 ADDED	J.L. 12.18.97	RE:	RICHCO, INC.	RICHCO INC. PO BOX 804238, CHICAGO, 60680 (773) 539-4060				
A	FIX PART # AND CHANGED DIM PLACEMENT	JB 09.27.95							
REV	DESCRIPTION	ENGR DATE	TOLERANCES UNLESS NOTED	.XX=±.010	.XXX=±.005	FRAC=±1/64	ANG=±1°		